

Yealink VCM38 Datasheet

Introduction

VCM38 is a newly designed ceiling microphone with 8 built-in microphones for 360-degree voice pickup. VCM38 delivers excellent voice quality with high-quality echo cancellation and Yealink noise-proof technology. With Beamforming technology, VCM38 can automatically locate and optimize voice pick-up for the person speaking. A single VCM38 unit can cover 40 square meters, even for oversized meeting rooms, by using up to eight VCM38 units in one system.

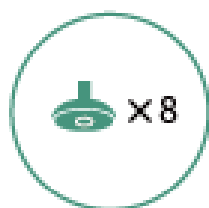
VCM38 supports PoE, which enables simple and easy deployment. It can be installed directly on the ceiling or by a telescopic rod, which can be adjusted between 30~60 cm to keep the room table clean and can match more meeting room scenarios.



Optima HD
voice



Microphone
Array



Up to 8 VCM38s



Ceiling/telescopic
rod installation






PoE

Key Features and Benefits

- Built-in 8 microphone arrays
- Yealink Noise Proof Technology
- Covers oversized area with up to 8 VCM38 units
- Ceiling or telescopic rod installations, adjustable hang-up angle
- Power over Ethernet (PoE)

Specifications

Specifications	Description
Microphone Characteristics	<ul style="list-style-type: none"> • Built-in 8 microphone arrays -Frequency response: 100Hz~16KHz -Sensitivity: $-45\text{dB} \pm 1\text{dB}$ @ 1KHz (0dB = 1V/Pa) -Signal to noise ratio: 60dBA @ 1KHz -Max sound pressure level: 100dB SPL @ 1KHz, THD<1% • 360°-degree voice pickup • 10 ft (3 m) high-quality voice pickup range Maximum 20 ft (6 m) voice pickup range • Optima HD voice • Dual-color LED indicator • Up to 8 units can be used in one system
Audio Features	<ul style="list-style-type: none"> • Background noise suppression • VAD (Voice Activity Detection) • CNG (Comfort Noise Generator) • AEC (Acoustic Echo Canceling) • Yealink Noise Proof Technology
Installation Guidelines	<ul style="list-style-type: none"> • Away from air conditioning or air vents • Away from other obvious sources of noise • The recommended installation height is 2.5 m/8 ft above the floor (can be adjusted according to the actual situation)
Physical Features	<ul style="list-style-type: none"> • 1 × RJ45 for ethernet and power • Power over Ethernet (IEEE 802.3af) <div style="text-align: center;">  <p>• Power input: PSE 54V  0.56A or PoE 48V  0.27A</p> </div> <ul style="list-style-type: none"> • Dimension (W. D. H): 127.3 x 127.3 x 66.3 mm • Operating humidity: 5 - 90% • Operating temperature: 0 - 40°C

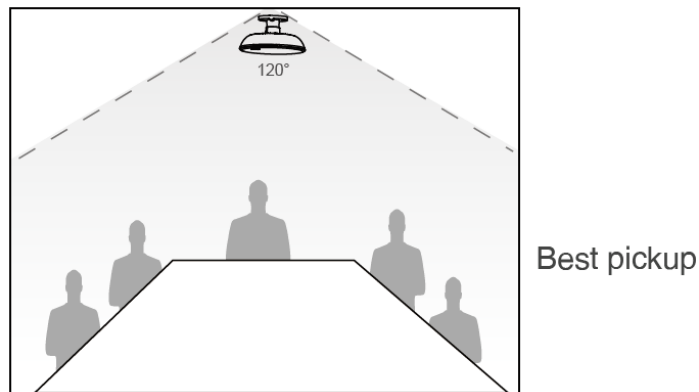
Package	• VCM38
Contents	• 30~60 cm Telescopic Rod • Quick Start Guide

Device Compatibility

- [Teams Room Accessories Compatibility Lists](#)
- [Zoom Rooms Accessories Compatibility Lists](#)

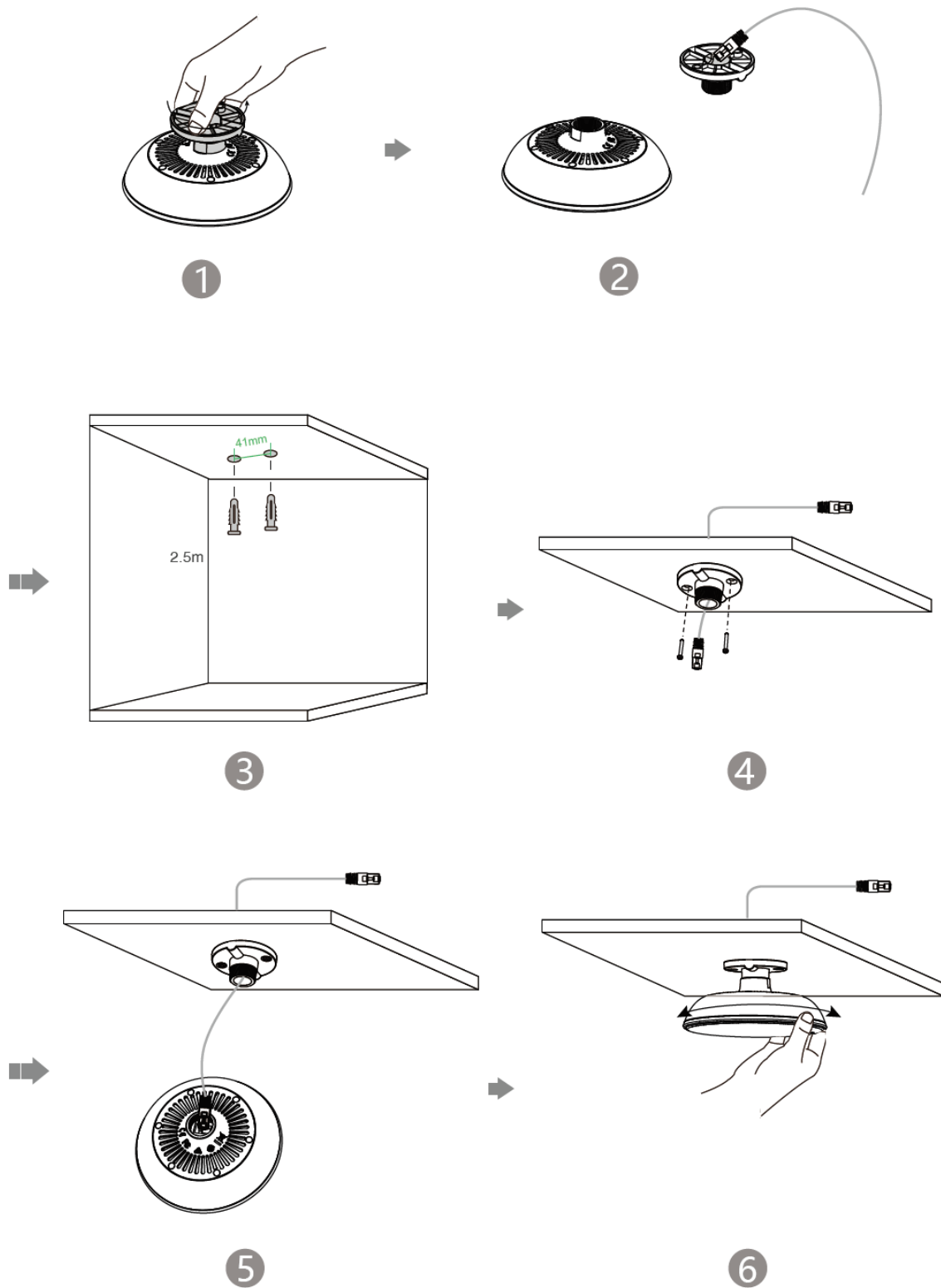
Installation

The recommended installation height of the microphone is 2.5 meters from the ground (can be adjusted according to the actual situation). We recommend that the VCM38 be installed away from air conditioning or air vents and other obvious sources of noise. The best pickup distance of VCM38 is shown below.



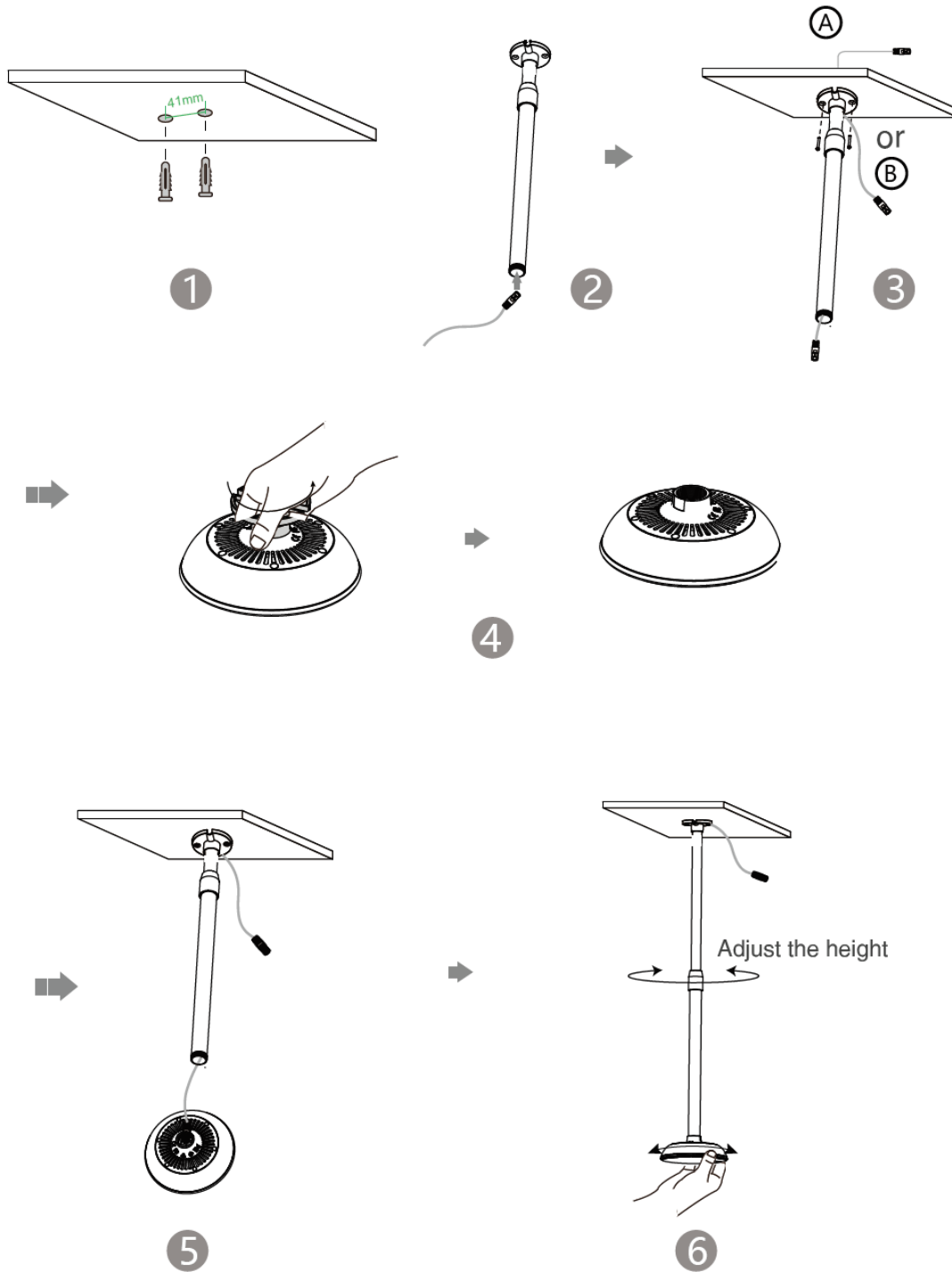
Suspend on the ceiling/suspended ceiling

The VCM38 can be suspended on the ceiling directly when the height of the ceiling/suspended ceiling for VCM38 installation meets the best pickup range.



Hang on the ceiling/suspended ceiling

The VCM38 can be hung on the ceiling when the height of the ceiling/suspended ceiling for VCM38 installation is beyond the best pickup range.



Mute/Unmute Microphone

If you select the VCM38 to pick up the sound during a call/meeting, select **Mute** to mute the microphone, and click again to unmute.